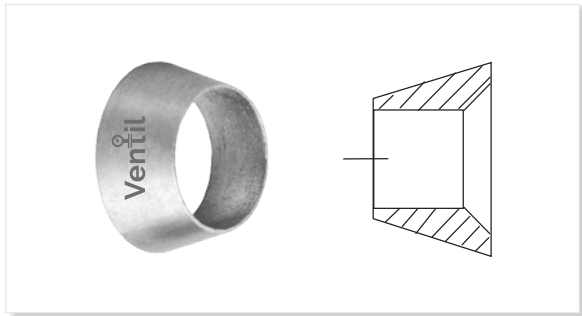


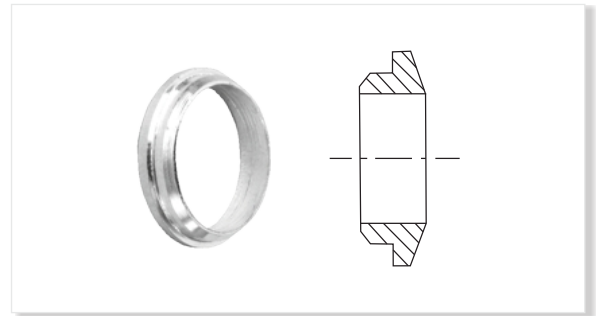
FRONT FERRULE



Dimension, in.

Tube OD	Part Number	Tube OD	Part Number
1/8	K2FF2	6	KM6FF
1/4	K4FF4	8	KM8FF
3/8	K6FF6	10	KM10FF
1/2	K8FF8	12	KM12FF
5/8	K10FF10	16	KM16FF
3/4	K12FF12	18	KM18FF
7/8	K14FF14	20	KM20FF
1	K16FF16	25	KM25FF

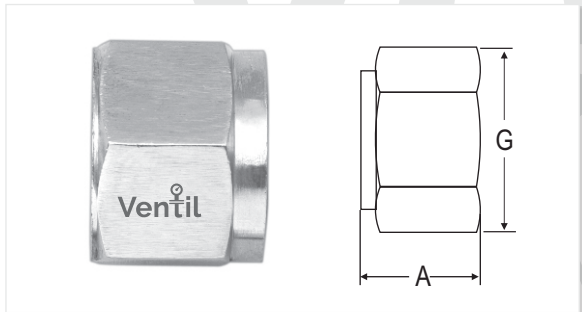
BACK FERRULE



Dimension, in.

Tube OD	Part Number	Tube OD	Part Number
1/8	K2BF2	6	KM6BF
1/4	K4BF4	8	KM8BF
3/8	K6BF6	10	KM10BF
1/2	K8BF8	12	KM12BF
5/8	K10BF10	16	KM16BF
3/4	K12BF12	18	KM18BF
7/8	K14BF14	20	KM20BF
1	K16BF16	25	KM25BF

NUT



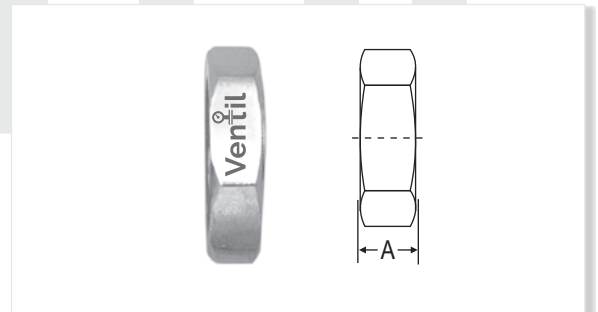
Dimension, in.

Dimension, mm.

Tube OD	UN THREAD (inch)	Part Number	A	G
1/8	5/16-20	K2NT2	0.47	7/16
1/4	7/16-20	K4NT4	0.50	9/16
3/8	9/16-20	K6NT6	0.56	11/16
1/2	3/4-20	K8NT8	0.69	7/8
5/8	7/8-20	K10NT10	0.69	1
3/4	1-20	K12NT12	0.69	11/8
7/8	1.1/8-20	K14NT14	0.69	11/4
1	1.5/16-20	K16NT16	0.81	11/2

Tube OD	UN THREAD (inch)	Part Number	A	G
6	7/16/20	KM6NT	12.7	14
8	1/2-20	KM8NT	13.5	16
10	5/8-20	KM10NT	15.1	19
12	3/4-20	KM12NT	17.4	22
16	7/8-20	KM16NT	17.4	25
18	1-20	KM18NT	17.4	30
20	1.1/8-20	KM20NT	17.4	32
25	1.5/16-20	KM25NT	20.6	38

BULKHEAD LOCK NUT



Dimension, in.

Dimension, mm.

Tube OD	UN THREAD (inch)	Part Number	A	G
1/8	5/16-20	K2NB2	0.19	1/2
1/4	7/16-20	K4NB4	0.22	5/8
3/8	9/16-20	K6NB6	0.25	3/4
1/2	3/4-20	K8NB8	0.28	15/16
5/8	7/8-20	K10NB10	0.31	1.1/16
3/4	1-20	K12NB12	0.34	1.3/16
7/8	1.1/8-20	K14NB14	0.38	1.3/8
1	1.5/16-20	K16NB16	0.38	1.5/8

Tube OD	UN THREAD (inch)	Part Number	A	G
6	7/16/20	KM6NB	5.6	16
8	1/2-20	KM8NB	5.6	17
10	5/8-20	KM10NB	6.4	21
12	3/4-20	KM12NB	7.1	24
16	7/8-20	KM16NB	7.9	27
18	1-20	KM18NB	8.6	30
20	1.1/8-20	KM20NB	9.7	32
25	1.5/16-20	KM25NB	9.7	41

Note:

- A and C dimensions are typical finger-tight

Dimensions and specifications shown are approximate, may vary from time to time.

Ventil tube fittings are ordered by part numbers as listed in this catalogue and other sizes will be available on request.